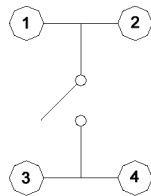
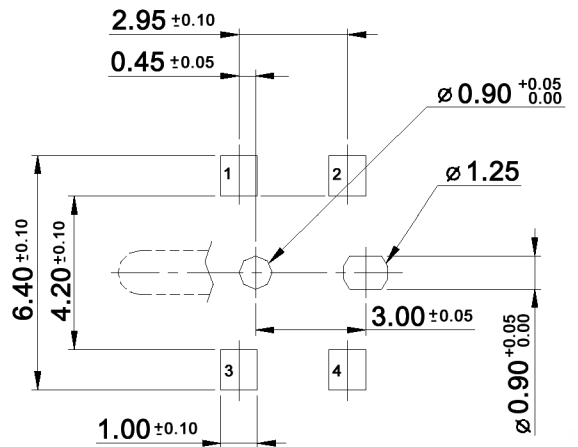


CIRCUIT DIAGRAM



P.C.B. LAYOUT



Compliance: RohS III (2015/863/EU)

Tolerances: ±0.20mm			Date	Name
Rename	03/21	dr	12/08	dr
Material	10/19	dr		
Operating temperature	05/15	dr		
Rating	09/12	dr		
Material	08/12	dr		
Plating	01/12	dr		
Material	02/10	dr		
Modifications	Date	Name		

**DTS 110 CBP-RT-1**

**knitter-switch**

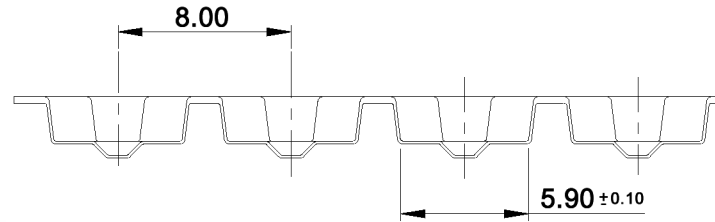
**30 16 80**

Page

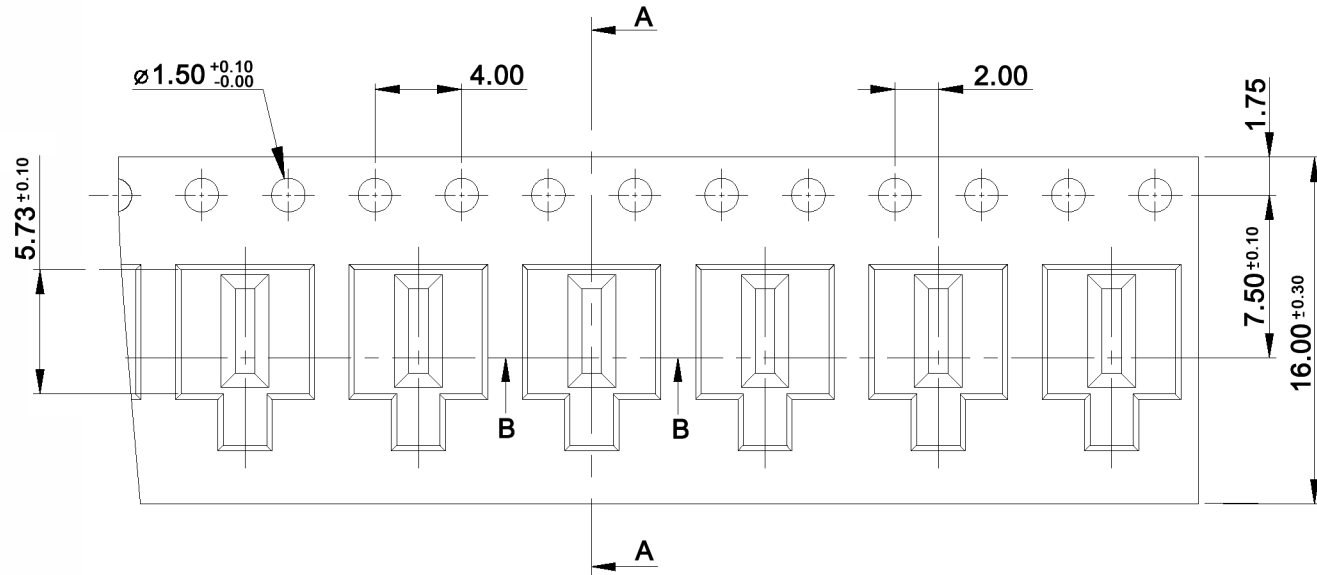
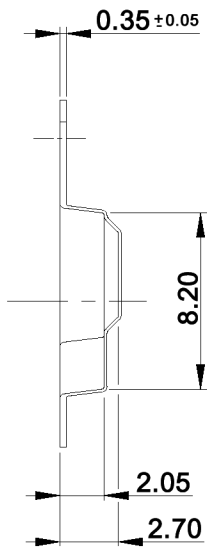
1/3



SECTION B-B



SECTION A-A



Packaging unit: 3 000 pcs. / reel  
 Compliance: RohS III (2015/863/EU)

Tolerances: ±0.20mm			Date	Name
Rename	03/21	dr	12/08	dr
Material	10/19	dr		
Operating temperature	05/15	dr		
Rating	09/12	dr		
Material	08/12	dr		
Plating	01/12	dr		
Material	02/10	dr		
Modifications	Date	Name		

**DTS 110 CBP-RT-1**

**knitter-switch**

**30 16 80**

Page

3/3